



ADSL - Broadband

Problems and Solutions

ADSL

ADSL (Asymmetric Digital Subscriber Line) is a service that uses your existing telephone line to provide a broadband service that allows the telephone line and a high-speed internet connection to be used simultaneously.

ADSL-F6 - ADSL filter

Unlike existing 2 wire ADSL micro filters, the ADSLF In-Line Micro Filter/Splitter is a four wire device. It connects all four wires used in the Mode 3 connection thus giving an effective Central Filter to all of the Phones connected on return wires (1 and 5) of the Mode 3 connection.

An ADSL in-line micro filter separates the telephone service from the ADSL data. Without an ADSL filter, ADSL signals can cause interference to alarm signal transmission.

MCMs ADSLF micro filters/splitters are the ONLY filters tested and approved to work with MCMs products.

Problems with existing modem/filter combinations

Multiple ADSL filters can be added (one on each phone/device) or a central filter can be used depending on the existing wiring. The limit on the number of older micro filters could be 2 to 3 before they affect (unbalance) the line which would then affect the performance of the ADSL modem.

The range limit of ADSL is approximately 3.6kms from exchange.
ADSL does not operate over pair gains system.

If a "standard" micro filter is used on an alarm system, the filter being only a 2 wire device, does not allow for connection of the 4 wires required for the mode 3 or mode 5. Hence the return connection of the line to the phone is not possible.

With the introduction of "do it yourself installation" there is more chance of incorrect configuration of the ADSL modem/alarm panel/phone combination.

Problems or Symptoms

There have been a number of reported symptoms of the interference caused by the ADSL modem.

- ADSL connected to a neighbour's phone line causing interference on your phone line.
- Diallers failing to send test reports or test reports not being received at the Central Station.
- Increased phone bill - dialler continues to dial and doesn't shut down until max attempts reached.
- Multiple reports of the same event are being received in the Central Station.
- Alarms or Events not being received by the Central Station.
- Alarm panel seizing the line and not returning it for long periods.
- With no filter Securitel STU would go "NON Responding".

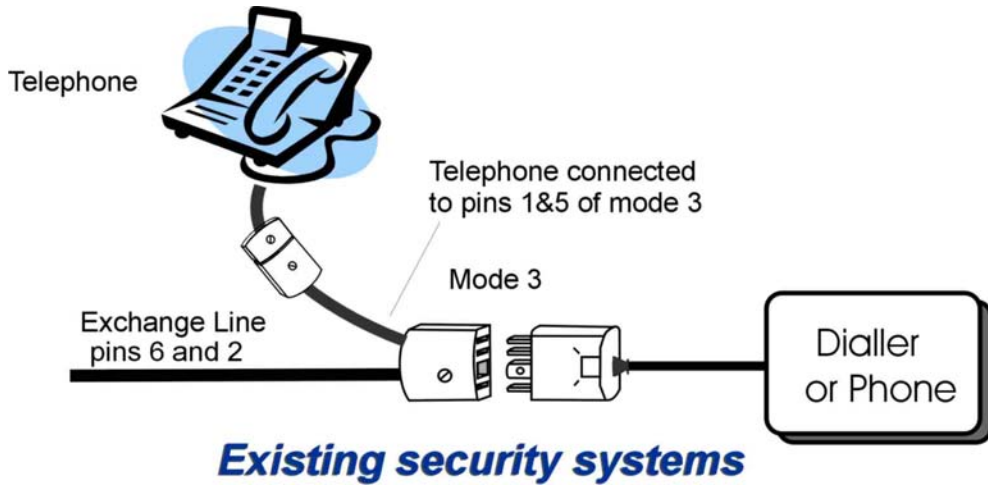
Amended standard from 1st January 2003

MCMs filter approved to new amended standard introduced 1st January 2003.

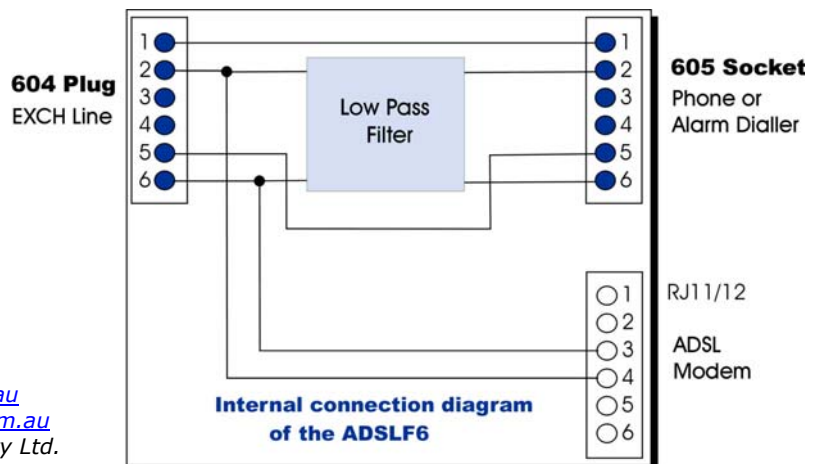
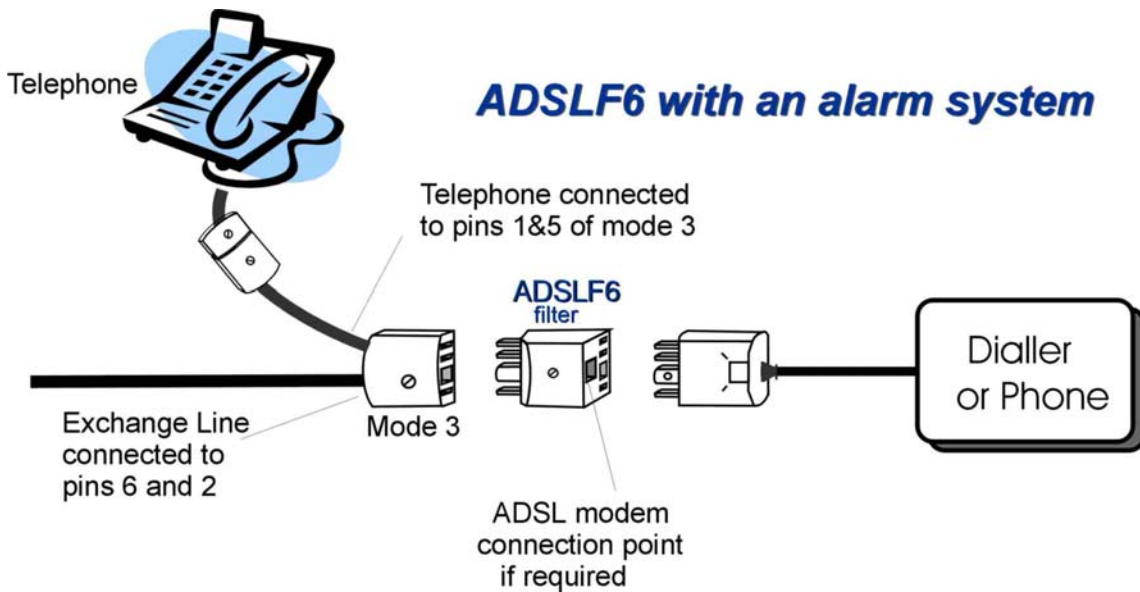


AS/ACIF S002-2001 including amendment.

ADSLF6 Filter Installation



- ✓ Unplug the devices plug (modular 604/605) at the mode 3 socket.
- ✓ Plug the in line micro filter Mode3 socket in place of the dialler.
- ✓ Plug the dialler into the ADSLF6 socket.
- ✓ If required the ADSL modem can be plugged into the RJ11 connector on the ADSLF6.



MCM Electronics Pty Ltd.
 3/10 Abel Street,
 Penrith NSW 2750
 Phone 02 4721 8067
 Fax 02 4721 8572
 Web site: www.mcmelectronics.com.au
 Email: admin@mcmelectronics.com.au
 © Copyright 2003 MCM Electronics Pty Ltd.