

“Multi Function ATM Sensor”

Installation, Commissioning and Testing Instructions



Designed and Manufactured by MCM Electronics Pty Ltd

Patent Pending

The "ATM Sensor" is the world's first alarm sensor designed specifically for the use in stand alone ATM machines.

This guide provides installation procedures for connection to an Iris 8 Alarm Panel and installation into an NCR66XX series ATM.

Please contact us at MCM Electronics on (02) 4721 8067 before attempting to install into other alarm panels and ATMs.

Installing "ATM Sensor"

The ATM sensor is in two parts, the sensor and magnet. To install an "ATM Sensor":

- 1) Switch off all power to the ATM and Alarm Panel.
- 2) Attach the "Sensors' " mounting bracket to the lower inside corner of the safe door as pictured below.:



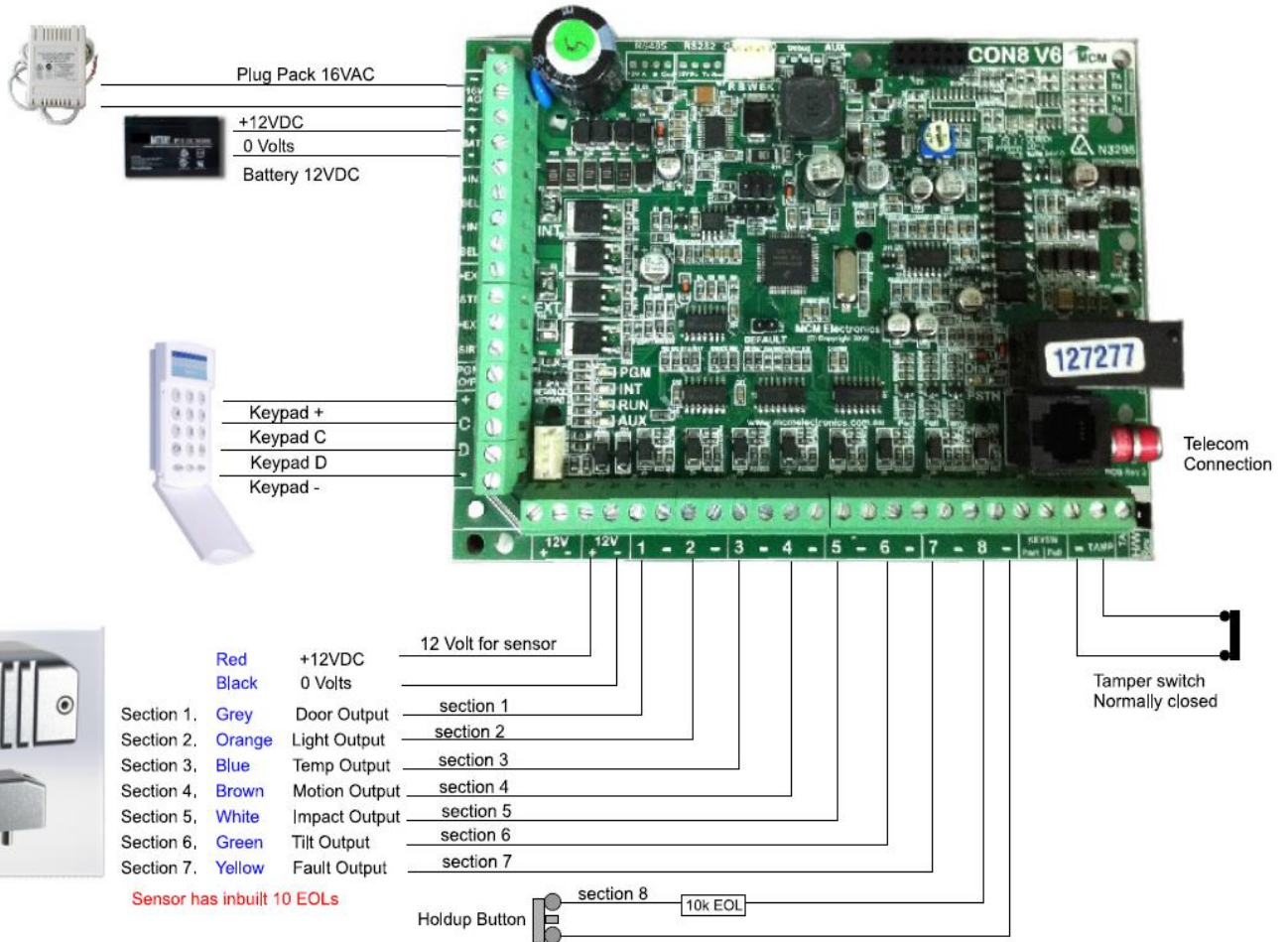
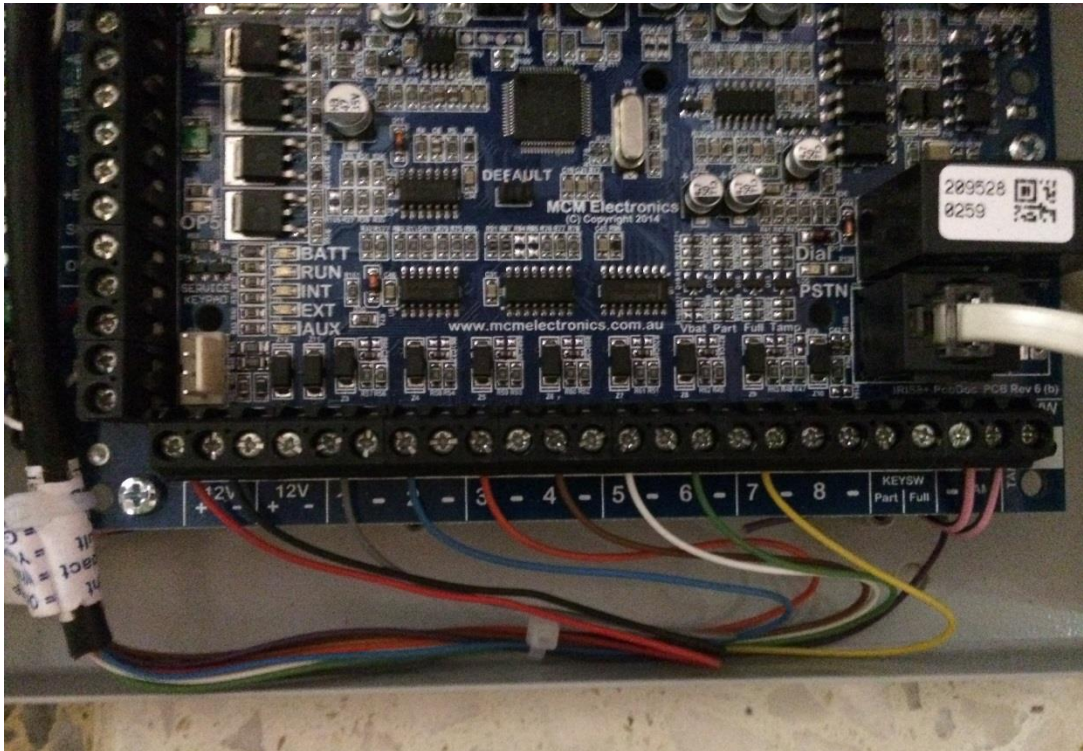
3) Mount the sensor housing onto the mounting bracket as pictured:



4) Remove the cover plate from the rear of the safe door and route the sensor cable underneath the cover plate and attach securely to the existing cabling between the safe door and the ATM as pictured:



5) Connect the sensor to the Iris8 Panel as pictured. Refer to the Iris8 installation instructions for wiring procedures.



- 7) Attach the magnet housing to the mounting plate as pictured:



- 8) Then screw the magnet onto the mounting plate



- 9) Check all wiring is secure and that the sensor is properly installed. The alarm panel can now be powered up ready for commissioning.

Commissioning “ATM Sensor”

1) Following are the recommended zoning allocations for installation onto an Iris8 panel:

Zone	Type	Area	Description
1	Door Reed	Safe Door	Detects opening of safe door
2	Temperature	Safe	Detects sudden increase in temperature within safe
3	Light	Safe	Detects sudden increase in light within safe
4	Movement	ATM	Detects movement of the ATM
5	Impact	ATM	Detects impacts to the ATM
6	Tilt	ATM	Detects tilting of the ATM
7	Sensor Fault		
8	Holdup		

2) Following are the recommended alarm response settings:

	Type	Response
1	Door Reed	Send Guard
2	Door Reed + Any Other within hour	Send Guard
3	Temperature	Advise Bureau
4	Temperature + Any Other within hour	Send Guard
5	Light	Advise Bureau
6	Light + Any Other within hour	Send Guard
7	Movement	Advise Bureau
8	Movement + Any Other within hour	Send Guard
9	Impact	Advise Bureau
10	Impact + Any Other within hour	Send Guard
11	Tilt	Advise Bureau
12	Tilt + Any Other within hour	Send Guard
9	Hold-Up	Call Police, Send Guard
10	Low Battery	Advise Bureau
11	Mains Fail	Advise Bureau
12	Mains Fail + Low Battery	Call Bureau if no answer Send Guard
13	Mains Fail + any other (except Low Battery)	Send Guard
14	Comms Fail	Send Guard

Testing Procedure for the “ATM Sensor”

Once the sensor is commissioned and operational, all functions can be tested as follows:

- Door Sensor:** From a closed position open the safe door more than 10cm to activate the door sensor.
- Temperature Sensor:** Using a hairdryer for no longer than 10 seconds, gently heat the sensor from 10cm away to activate the temperature sensor.
- Light Sensor:** From a closed position open the safe door more than 20cm to activate the light sensor.
- Movement:** Open the safe door and rigorously move the door back and forth (approx. 10cms). This will activate the Movement sensor.
- Impact:** Turn the safe door handle rigorously 5 times to activate the Impact sensor.
- Tilt:** Open the safe door and unscrew one side of the sensor and tilt beyond 10 degrees for a period of 20 seconds to activate the Tilt sensor.

Warranty

MCM Electronics guarantees this product as per the warranty documented on page 4 of the MCM Standard Terms and Conditions outlined at www.mcmelectronics.com.au

<http://www.mcmelectronics.com.au/PDF%20files/MCM%20Electronics%20Pty%20Ltd%20Cr%20edit%20Application.pdf>

Installation Standards

The “ATM Sensor” must be installed by a licensed, qualified person and in accordance with the installation instructions.



MCM Electronics Pty Ltd
Unit 3 / 10 Abel Street
Penrith NSW 2750, Australia
Phone: (02) 4721 8067
Fax : (02) 4721 8572