

SIREN DRIVER BOARD.

Description :

Free running siren activated by the application of a 12V DC power source. This module is capable of driving a maximum of 2 x 8 ohm 10W speakers and produces approximately 110 db at one metre.

Applications:

Security alarms, warning systems.

Specifications:

Supply voltage - 12V DC.

Output level - 110 db at one metre.

Capacity - 2 x 8 ohm 10w horn speakers.

Termination - 4 way screw terminal.

Mounting - self-adhesive standoffs or housing.

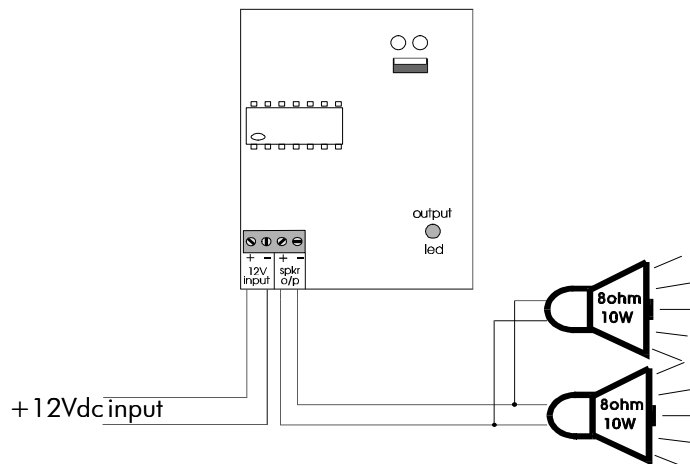
Protection:

Reverse polarity protection on the 12V DC input.

Back EMF diode protection on the speaker output.

Indication:

Red led indicates power is on and siren operating.



FLASHER DC OUTPUT BOARD.

Description :

On application of the 12V DC input, the output will be pulsed at 1HZ (maximum load of 1A).

Applications:

Security alarms, warning systems.

Specifications:

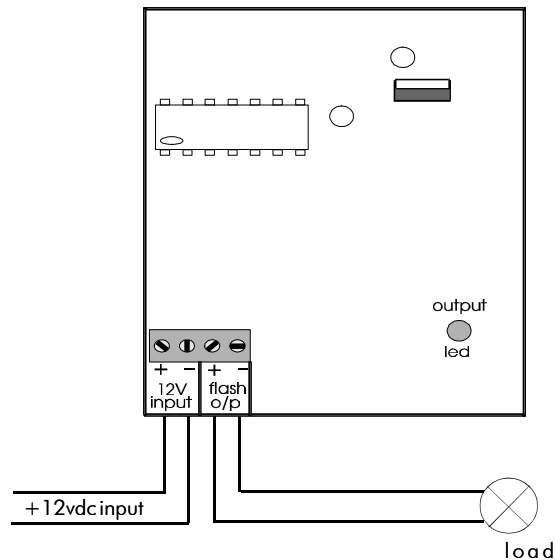
Supply voltage - 12V DC.
Output level - Switching from gnd to 12V DC.
Capacity - 12V DC @ 1A maximum.
Termination - 4 way screw terminal.
Mounting - Self-adhesive standoffs or housing.

Protection:

Reverse polarity protection on the 12V DC input.
Back EMF diode protection on the flasher output.

Indication:

Red led indicates power is on and output flashing.



FLASHER RELAY OUTPUT BOARD.

Description :

On application of the 12V DC input, the output will be pulsed at 1HZ (maximum load of 1A). Relay will operate at a time constant of 0.5 seconds on and 0.5 seconds off.

Applications:

Security alarms, warning systems.

Specifications:

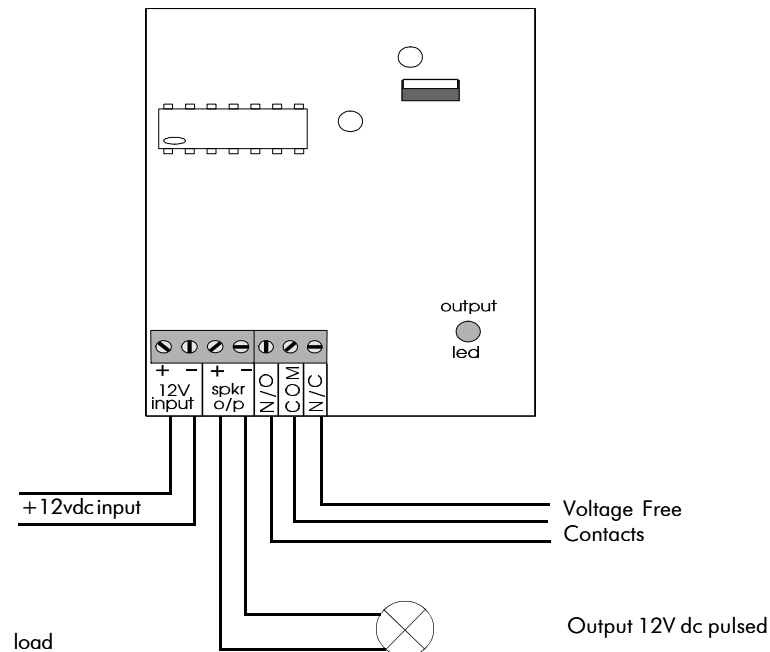
- Supply voltage - 12V DC.
- Output level - Switching from gnd to 12V DC.
- Capacity - 12V DC @ 1 AMP maximum
- Relay rating
 - Max. switching power 150W
 - Max. switching voltage 30V DC
 - Max. switching current 5A
 - Min. voltage and current 5V DC 0.1A
- Termination - 4 way screw terminal.
- Mounting - Self-adhesive standoffs or housing.

Protection:

- Reverse polarity protection on the 12V DC input.
- Back EMF diode protection on the flasher output.

Indication:

Red led indicates power is on and output flashing.



FUSE DISTRIBUTION BOARD.

Description :

Upon application of the 12V DC in, there will be four individually fuse protected outputs rated at 2 AMPS each.

Applications:

Security alarms, any application requiring seperately fused supplies.

Specifications:

Supply voltage - 12V DC.

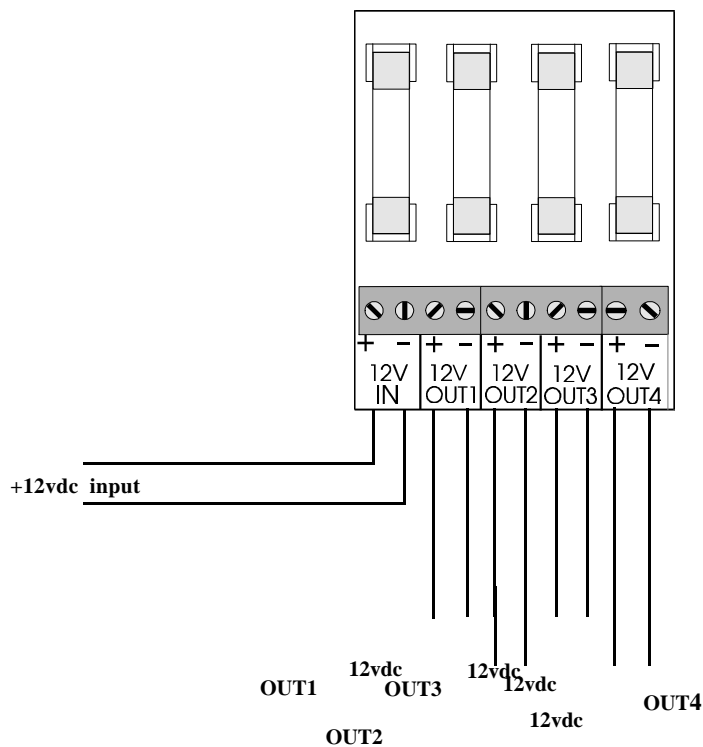
Output Rating - 12V DC. at 2 AMPS.

Termination - 10 way screw terminal.

Mounting - self-adhesive standoffs or housing.

Protection:

Individual 2 AMP fuses on all four outputs.



AC SPDT RELAY BOARD.

Description :

On application of the 16V AC or 12V DC input, the relay will operate until the power is removed.

Applications:

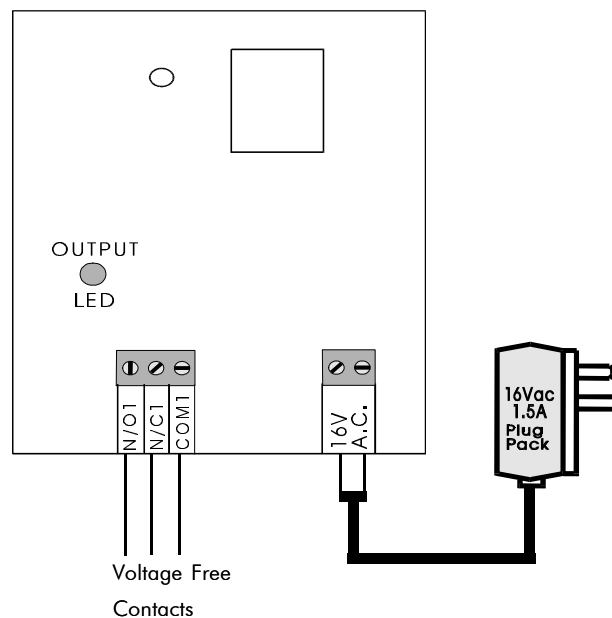
Security alarms, any application requiring the operation of a spdt relay.

Specifications:

Supply voltage	- 16V AC/12V DC.
Relay rating	- Max. switching power 150W
	- Max. switching voltage 30V DC
	- Max. switching current 5A
Termination	- 5 way screw terminal.
Mounting	- Self-adhesive standoffs or housing

Indication:

Red led indicates power is on and relay is energised



DC SPDT RELAY BOARD.

Description :

On application of the 12V DC input, the relay will operate until the 12V DC is removed.

Applications:

Security alarms, any application requiring the operation of a spdt relay.

Specifications:

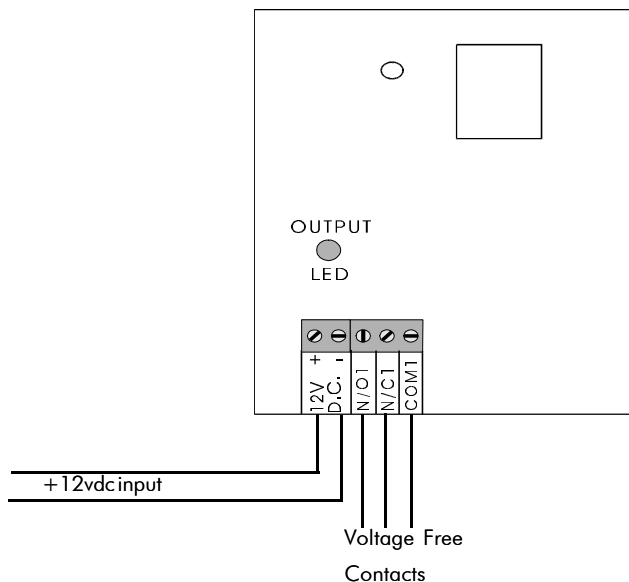
Supply voltage - 12V DC.
Relay rating - Max. switching power 150W
- Max. switching voltage 30V DC
- Max. switching current 5A
Termination - 5 way screw terminal.
Mounting - Self-adhesive standoffs or housing.

Protection:

Reverse polarity protection on the 12V DC input.

Indication:

Red led indicates power is on and relay is energised.



AC DPDT RELAY BOARD.

Description :

On application of the 16V AC or 12V DC input, the relay will operate until the power is removed.

Applications:

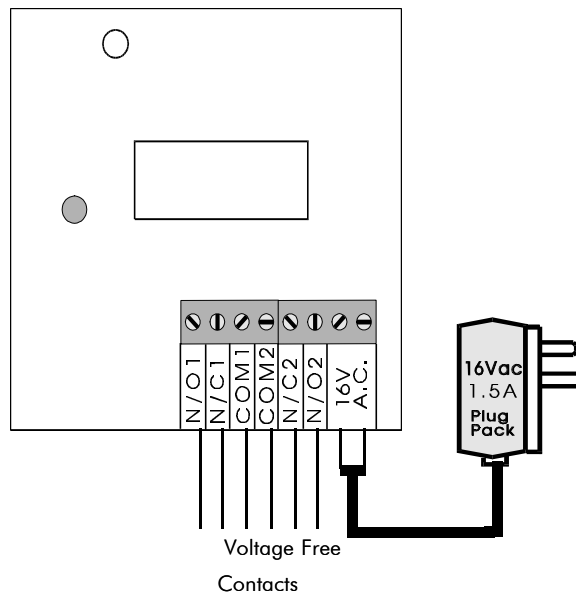
Security alarms, any application requiring the operation of a dpdt relay.

Specifications:

Supply voltage	- 16V AC/12V DC.
Relay rating	- Max. switching power 60W
	- Max. switching voltage 220V DC
	- Max. switching current 2A
	- Max. Carrying current 3A
Termination	- 8 way screw terminal.
Mounting	- Self-adhesive standoffs or housing

Indication:

Red led indicates power is on and relay is energised.



DC DPDT RELAY BOARD.

Description :

On application of the 12V DC input, the relay will operate until the 12V DC is removed.

Applications:

Security alarms, any application requiring the operation of a dpdt relay.

Specifications:

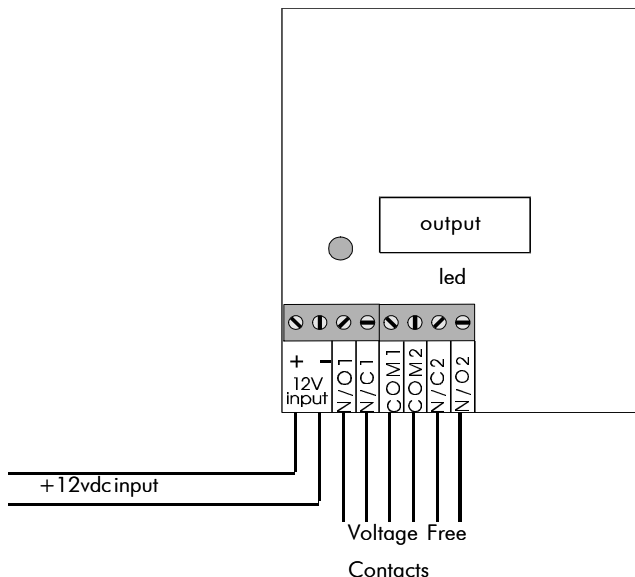
Supply voltage - 12V DC
Relay rating - Max. switching power 60W
Max. switching voltage 220V DC
Max. switching current 2A
Max. carrying current 3A
Termination - 8 way screw terminal.
Mounting - Self-adhesive standoffs or housing.

Protection:

Reverse polarity protection on the 12V DC input.

Indication:

Red led indicates power is on and relay is energised.



CLUTCH RELAY BOARD.

Description :

On power up the relay will not be energised.
On application of +12V DC to the +TR terminal or 0V to the -TR terminal the relay will toggle once. On subsequent triggering the relay will toggle again.

Applications:

Security alarms, any application requiring the use of multiple push buttons, keyswitches, coded entry units.

Specifications:

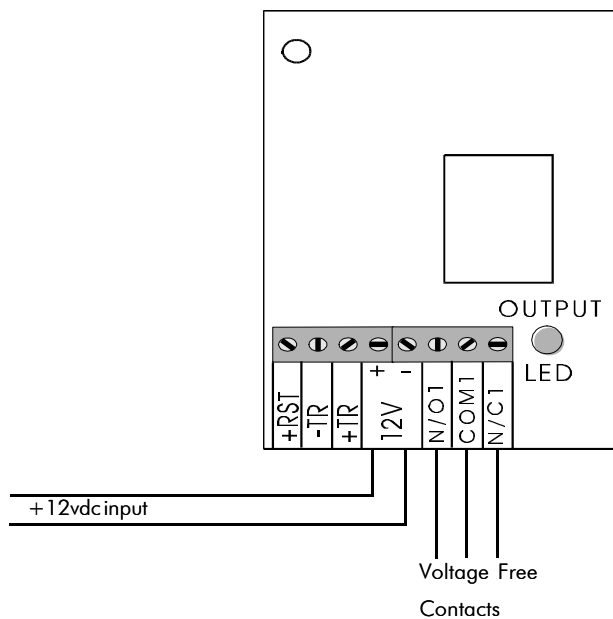
Supply voltage	- 12V DC	
Relay rating	- Max. switching power	150W
	Max. switching voltage	30V DC
	Max. switching current	5A
	Min. voltage and current	5V DC 0.1A
Termination	- 8 way screw terminal.	
Mounting	- Self-adhesive standoffs or housing.	

Protection:

Reverse polarity protection on the 12V DC input.

Indication:

Red led indicates power is on and relay is energised.



TIMER BOARD.

1 of 2

Options:

- Delay to operate timer.
- Operate, delay to release timer.

Description :

* Delay to operate: Link LK1 position 2.

Upon application of a positive or negative trigger the relay will remain de-energised for a period of time dependant on the setting of the dipswitches.

* Delay to release: Link LK1 position 3.

Upon application of a positive or negative trigger the relay will energise energised for a period of time dependant on the setting of the dipswitches.

Applications:

Security alarms, any application requiring the operation of a SPDT relay for a period of time or after a specified time.

Specifications:

- Supply voltage- 12V DC
- Relay rating - Max. switching power 150W
Max. switching voltage 30V DC
Max. switching current 5A
- Termination - 8 way screw terminal.
- Mounting - Self-adhesive standoffs or housing.

Protection:

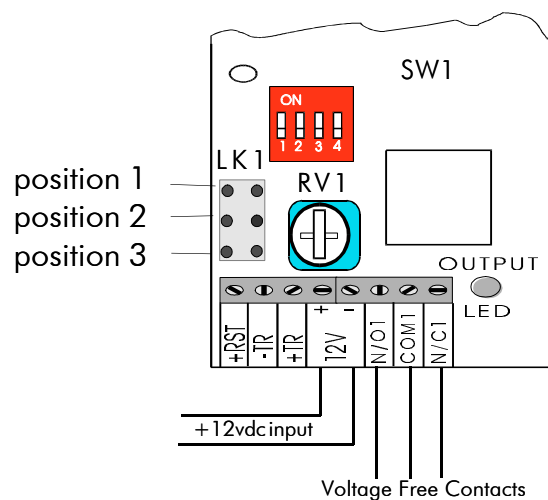
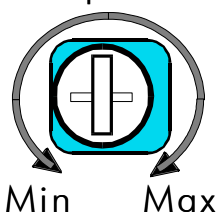
Reverse polarity protection on the 12V DC input.

Indication:

Red led indicates relay is energised.

- +RST - Not used.
- TR - Negative trigger (0-3V).
- +TR - Positive trigger (7-12V).

Pot Adjustments



MCM ELECTRONICS PTY. LTD.

TIMER BOARD.

Dipswitch Settings				Potentiometer Adjustments			
				Minimum		Maximum	
1	2	3	4	Minutes	Seconds	Minutes	Seconds
ON	ON	ON	ON	0	0	1	0
OFF	ON	ON	ON	1	0	2	0
ON	OFF	ON	ON	2	6	3	12
OFF	OFF	ON	ON	3	6	4	12
ON	ON	OFF	ON	4	46	5	46
OFF	ON	OFF	ON	5	50	6	58
ON	OFF	OFF	ON	6	50	7	52
OFF	OFF	OFF	ON	7	52	8	52
ON	ON	ON	OFF	10	18	11	26
OFF	ON	ON	OFF	11	38	12	34
ON	OFF	ON	OFF	12	20	13	42
OFF	OFF	ON	OFF	13	46	14	42
ON	ON	OFF	OFF	15	2	16	20
OFF	ON	OFF	OFF	16	32	17	30
ON	OFF	OFF	OFF	17	30	18	43
OFF	OFF	OFF	OFF	18	0	19	42

FULL FUNCTION TIMER / CLUTCH BOARD.

1 of 2

Options:

- Delay to operate timer.
- Operate, delay to release timer.
- Clutch relay

Description :

- * Timer - Delay to operate: Link LK1 position 2.
Upon application of a positive or negative trigger the relay will remain de-energised for a period of time dependant on the setting of the dipswitches.
- * Timer - Delay to release: Link LK1 position 3.
Upon application of a positive or negative trigger the relay will energise for a period of time dependant on the setting of the dipswitches.
- * Clutch relay: Link LK1 position 1.
On power up the relay will not be energised.
On application of +12V DC to the +TR terminal or 0V to the -TR terminal the relay will toggle once. On subsequent triggering the relay will toggle again.

Specifications:

- Supply voltage - 12V DC
- Relay rating
 - Max. switching power 150W
 - Max. switching voltage 30V DC
 - Max. switching current 5A
- Termination - 8 way screw terminal.
- Mounting - Self-adhesive standoffs or housing.

Protection:

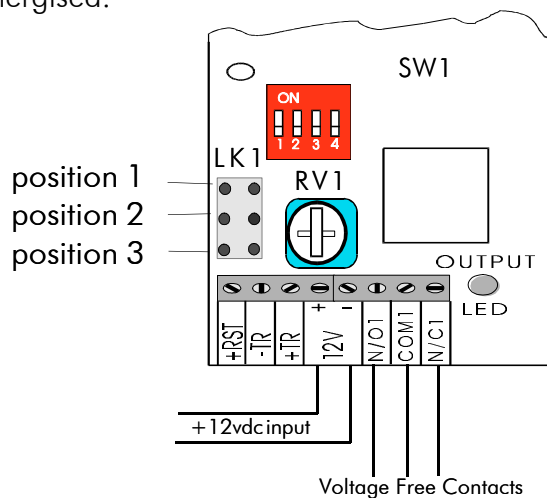
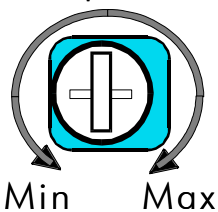
- Reverse polarity protection on the 12V DC input.

Indication:

- Red led indicates relay is energised.

- +RST - Not used.
- TR - Negative trigger (0-3V).
- +TR - Positive trigger (7-12V).

Pot Adjustments



1AMP POWER SUPPLY BOARD.

Description :

1 Amp 13.7 Volts DC power supply, open collector outputs via 10 ohm resistors for Mains Fail and Mains On. Battery output for Battery backup.

Applications:

Security alarms, any application requiring 13.7 Vdc at 1 Amp.

Specifications:

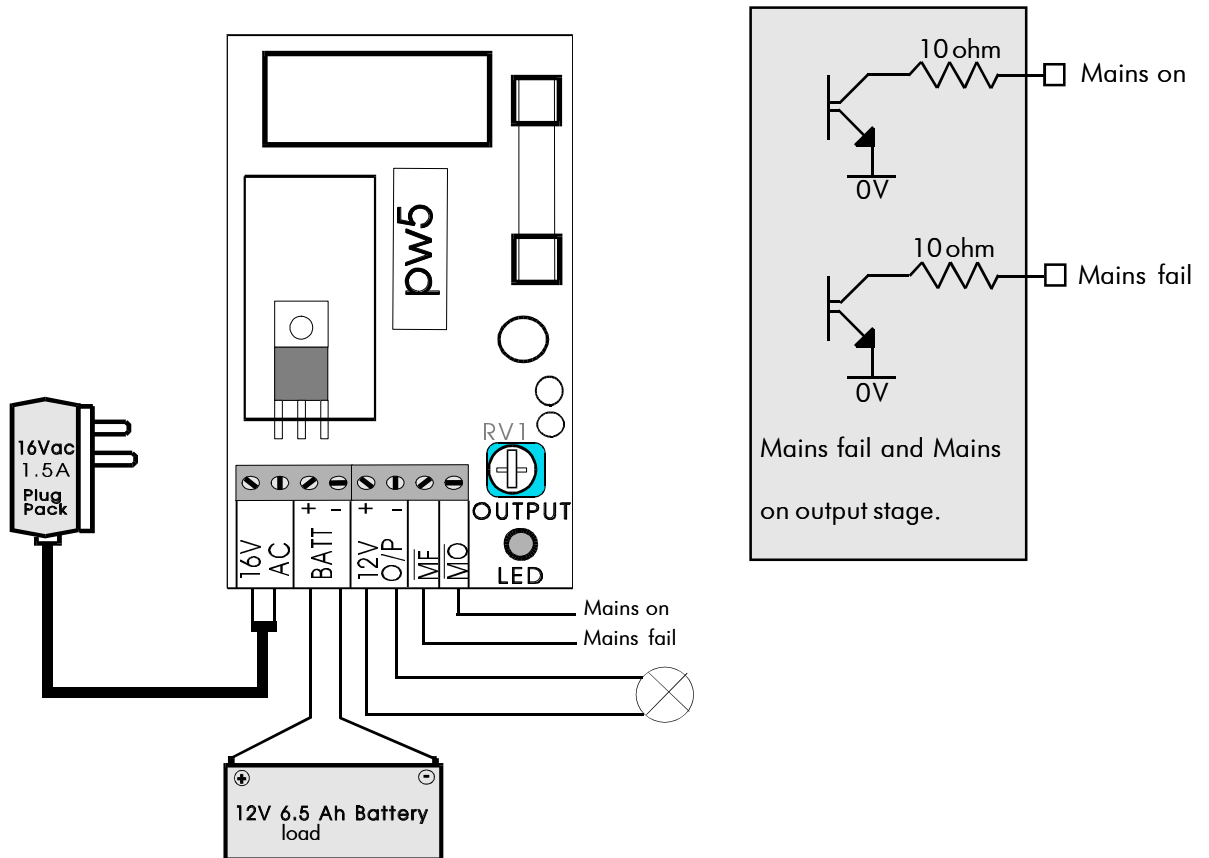
- Supply Voltage - 16V AC.
- Output Voltage - Factory set to 13.7 Vdc.
- Battery Voltage - 13.7 Vdc (Current Limited).
- Termination - 8 way screw terminal.
- Mounting - Self-adhesive standoffs or housing.

Protection:

Varistor across AC input, 2 Amp fuse protected DC output, Battery output is Current Limited for protection.

Indication:

Red led indicates Mains on.



MICROPHONE PRE-AMP BOARD.

Description :

Applications:

Security alarms, any application requiring 13.7 Vdc at 1 Amp.

Specifications:

Supply Voltage - 12V DC.

Termination - 3 way screw terminal.

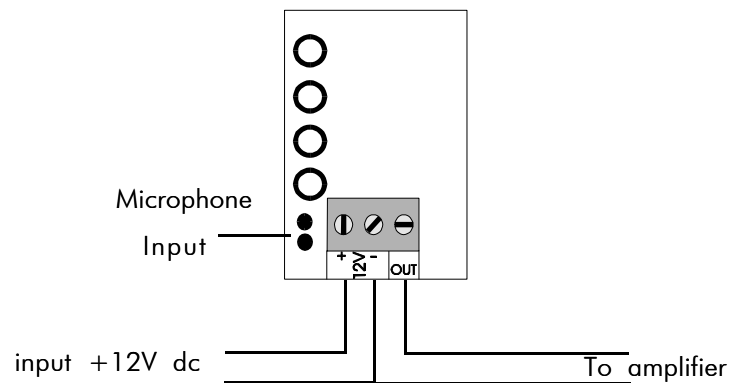
Mounting - Affixed to electrical wall plate by MCM.

Protection:

Varistor across AC input, 2 Amp fuse protected DC output, Battery output is Current Limited for protection.

Indication:

Red led indicates Mains on.



1AMP POWER SUPPLY BOARD.

Description :

1 Amp 13.7 Volts DC power supply, open collector outputs via 10 ohm resistors for Mains Fail and Mains On. Battery output for Battery backup.

Applications:

Security alarms, any application requiring 13.7 Vdc at 1 Amp.

Specifications:

Supply Voltage - 16V AC.
Output Voltage - Factory set to 13.7 Vdc.
Battery Voltage - 13.7 Vdc (Current Limited).
Termination - 8 way screw terminal.
Mounting - Self-adhesive standoffs or housing.

Protection:

Varistor across AC input, 2 Amp fuse protected DC output, Battery output is Current Limited for protection.

Indication:

Red led indicates Mains on.

+RST - Not used.

-TR - Negative trigger (0-3V).

+TR - Positive trigger (7-12V).

Pot Adjustments

